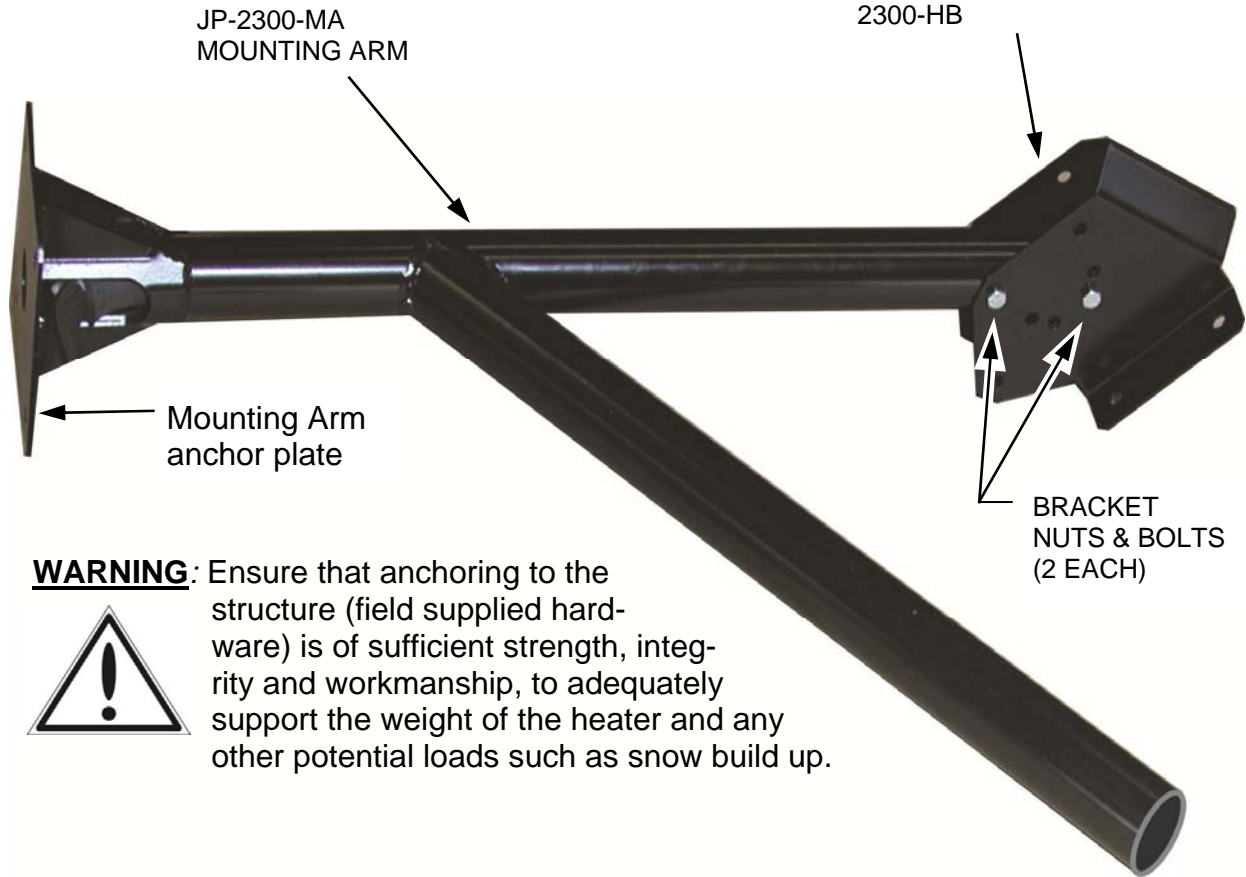


JP-2300-MK MOUNTING ARM KIT

NOTE: MOUNT HEATER AT MAXIMUM 30° ANGLE TO AVOID DAMAGE

JP-



WARNING: Ensure that anchoring to the structure (field supplied hardware) is of sufficient strength, integrity and workmanship, to adequately support the weight of the heater and any other potential loads such as snow build up.

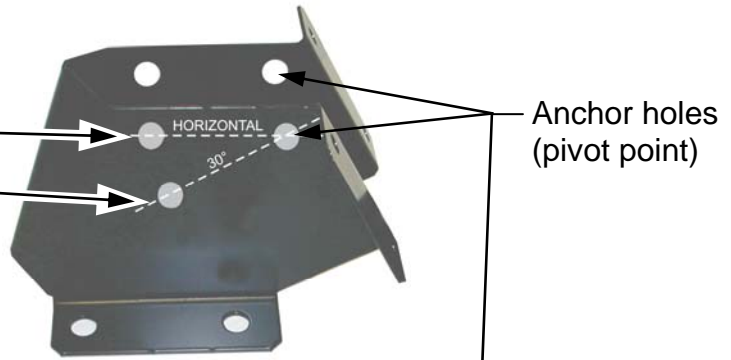


- See next page for assembly of heater bracket to mounting arm for desired heater orientation at horizontal or 30° angle
- Mounting arm dimensions on page 3

NOTE: MOUNT HEATER AT MAXIMUM 30° ANGLE TO AVOID DAMAGE

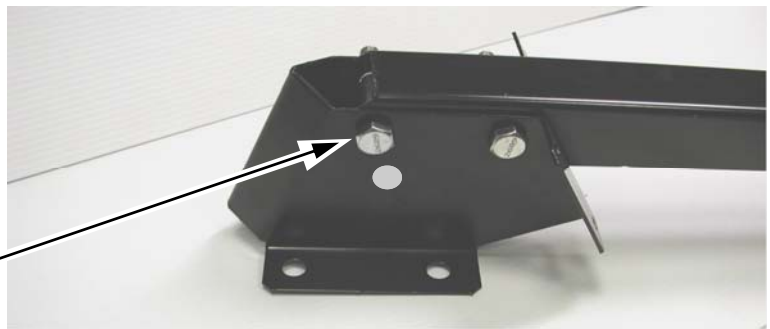
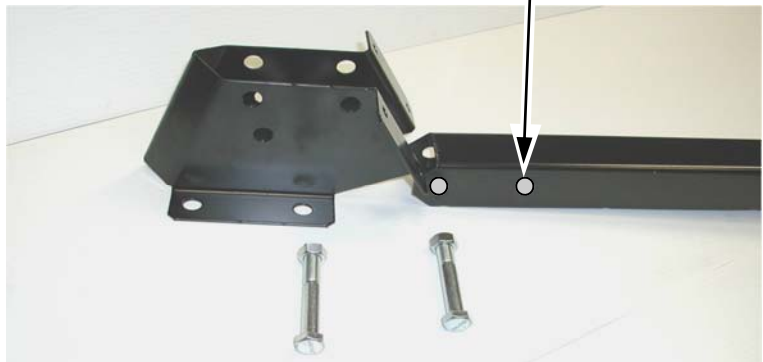
Using pairs of holes, the **heater bracket** allows heater orientation:

- Horizontal
- Angled at 30° (MAXIMUM angle mount)

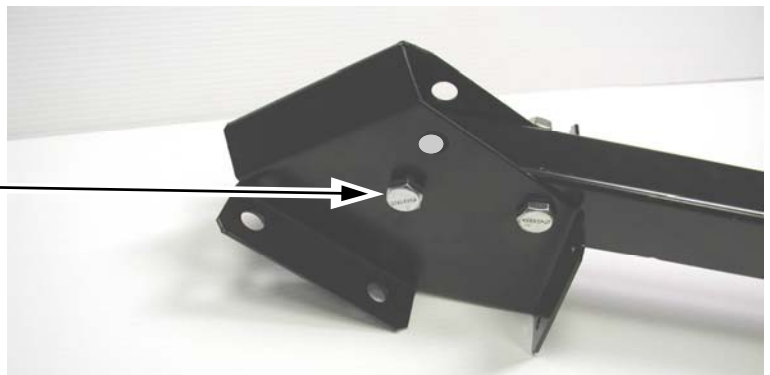


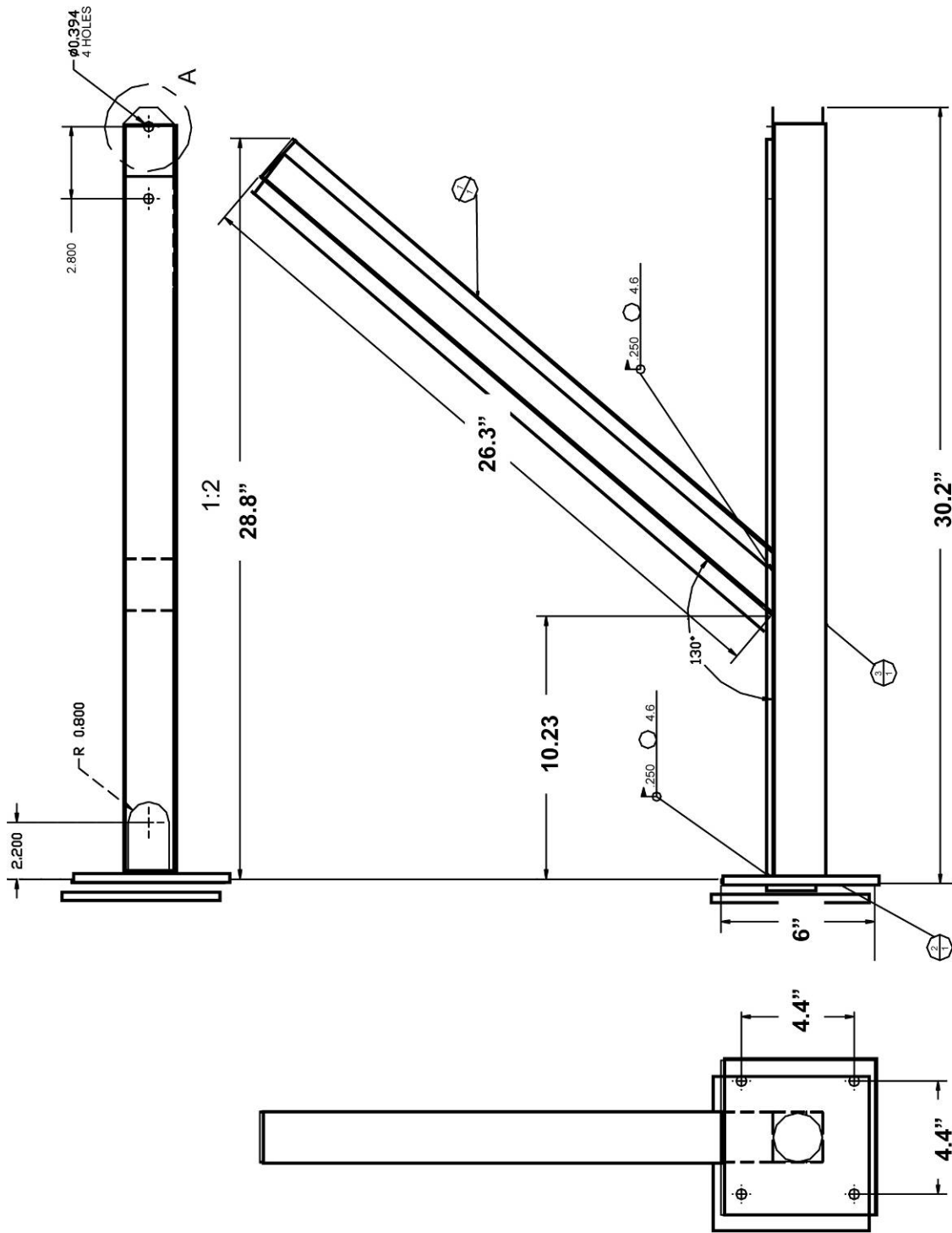
Assemble Mounting Bracket to Mounting Arm using bolts and nuts supplied:

- Align the anchor holes in the heater bracket and the mounting arm, and insert a bolt
- Finger tighten nut on to bolt to allow rotation of the heater bracket
- Align the desired mounting angle holes in the heater bracket to the outermost holes in the mounting arm
- Insert second bolt
- Tighten nuts on both bolts with wrench
- Horizontal mount



- 30° Angle mount





OPTIONAL 2300 / IO-210 MOUNTING ARM