

Schwank
INNOVATIVE HEATING SOLUTIONS



infrsave
radiant heaters

patioSchwank
patioSchwank

REPLACEMENT PARTS LIST

SPW-JZ

IWP

GAS-FIRED LOW INTENSITY TUBE TYPE INFRA RED HEATER
FOR DAMP ENVIRONMENTS AND OUTDOOR APPLICATIONS

NOTICE:

The manufacturer reserves the right to make changes to equipment and specifications without obligation of notification.

This publication or parts thereof may not be reproduced in any form without prior written consent from the manufacturer. Unauthorized use or distribution of this publication is strictly prohibited.

Schwank Group

5285 Bradco Blvd.
Mississauga, Ontario L4W 2A6

PO Box 988, 2 Schwank Way
Waynesboro, GA 30830

Customer & Technical Services:

1-877-446-3727

Fax: 1-866-361-0523

csr@schwankgroup.com

Schwank and InfraSave brand products

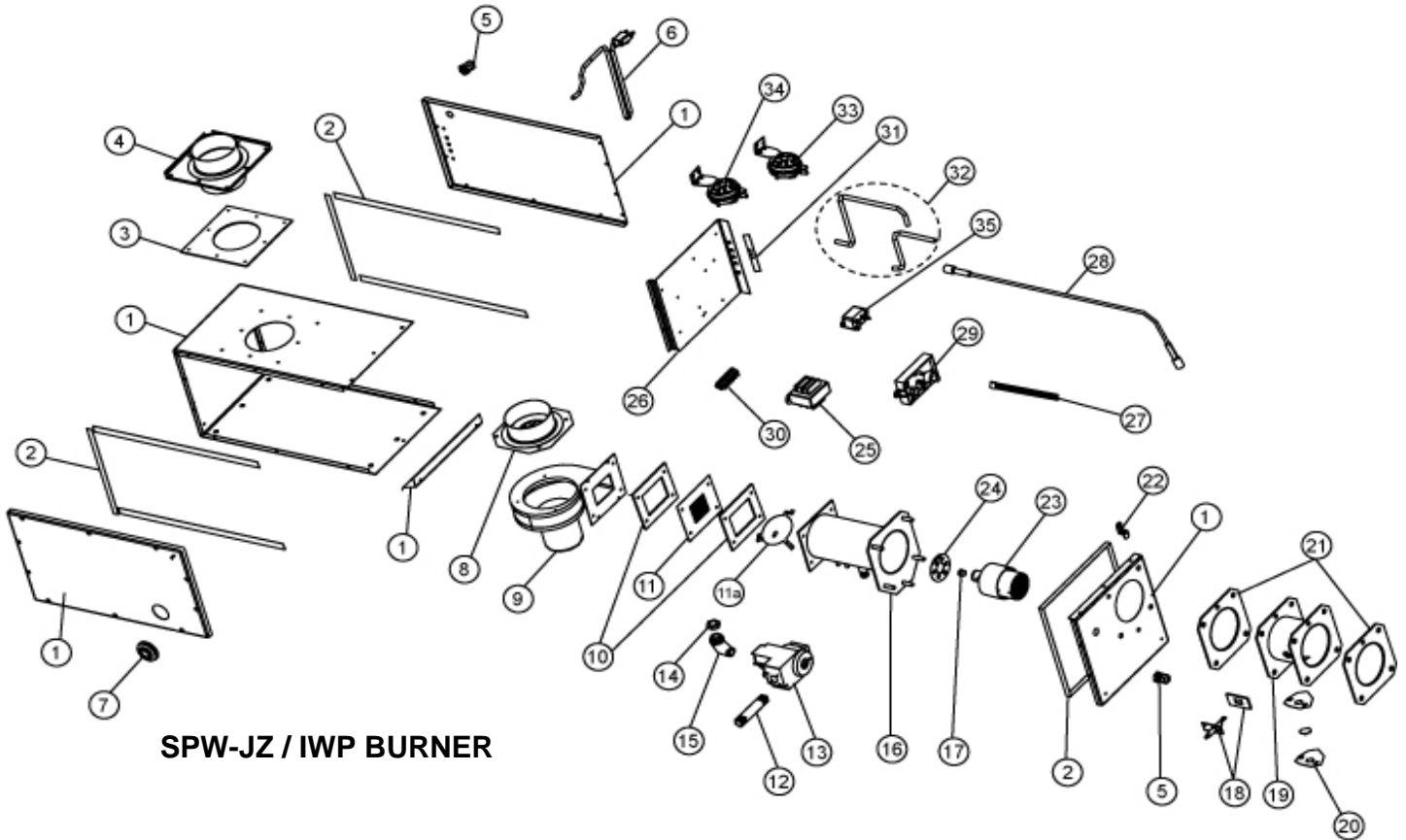
www.SchwankGroup.com
www.InfraSave.com



FOR YOUR SAFETY:

This heater must only be serviced by a trained gas service technician. Failure to comply could result in personal injury, death, fire and/or property damage.

BURNER PARTS



SPW-JZ / IWP BURNER

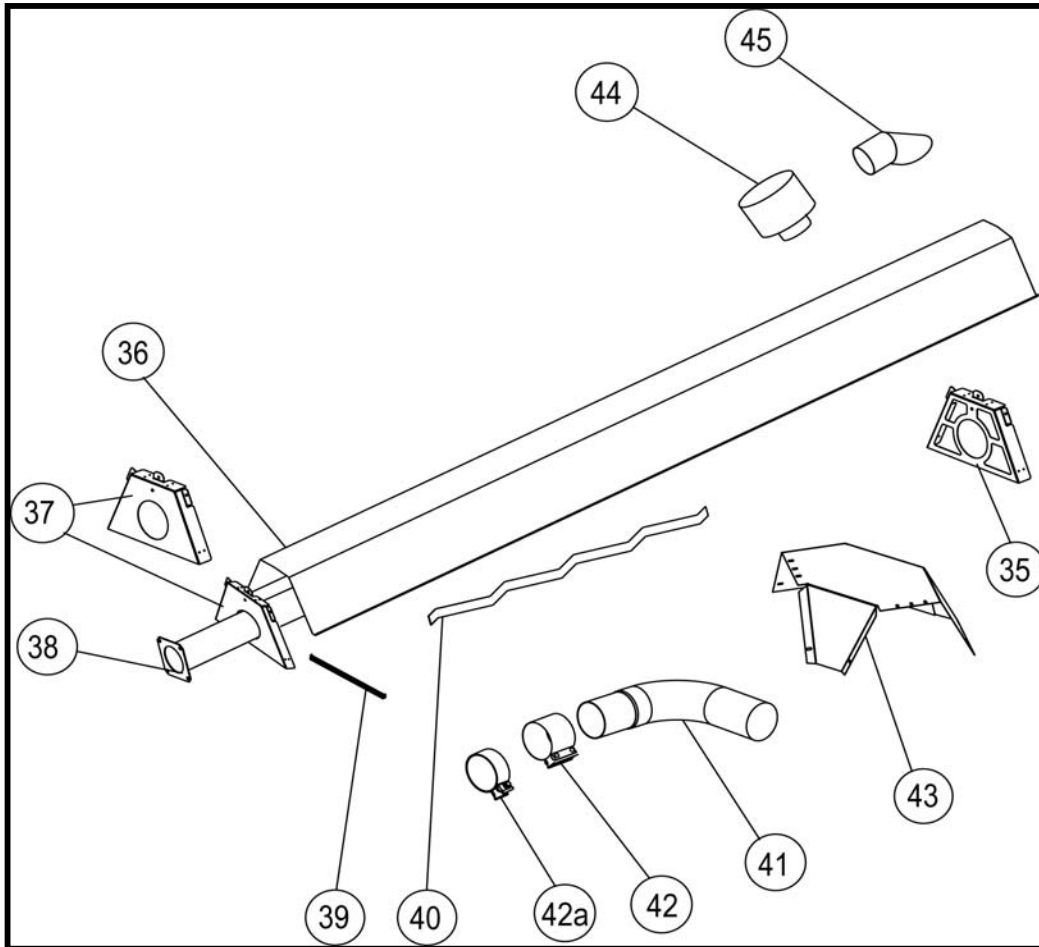
#	PART DESCRIPTION	PART #	PART DESCRIPTION PRIMARY	APPLICABLE
1	BURNER HOUSING	JS-0582-WP-P	Coated burner housing damp environment	
2	BURNER HOUSING GASKET SET	JS-0591-WP	Housing gasket set	
3	AIR INTAKE GASKET	JS-0601-WP	Air intake gasket	each
4	COMBUSTION AIR INLET	JS-0583-WP	Combustion air inlet	
5	SEALTIGHT CONNECTOR	JP-2036-XX	Connector liquid tight	
6	ELECTRICAL CORD	JB-0567-XX	Electrical cord	
7	WATERPROOF GROMMET	JP-2101-XX	Water proof butt connectors	
8	COMBUSTION AIR INLET FLANGE	JS-0594-ST	60 blower rest. ring c/w flange	60,000
		JS-0595-SP	80 blower rest. ring c/w flange	80,000
		JS-0595-AA	110-200 blower rest. ring c/w flange	110 - 200,000
9	BLOWER	JS-0579-AA	Blower assembly	
10	BLOWER GASKET	JS-0578-XX	Outlet blower gasket	each
11	EQUALIZER PLATE	JS-0593-XL	Outlet equalizer plate 45 LP - 29 Holes - Series X1	SPW-JZ-45-L-X1; 45 LP
		JS-0593-NG	Outlet equalizer plate 45 NG - 25 Holes	SPW-JZ-45-N-X1; 45 NG
		JS-0593-XX	Outlet equalizer plate 60 to 155 LP	60 - 155 LP
		JS-0593-XZ	Outlet equalizer plate 175 LP	175 LP
		JS-0593-XX	Outlet equalizer plate 60 to 200 NG	60 - 200
11A	AIR RESTRICTOR	JS-0592-AR	Burner air restrictor (45-X1)	SPW-JZ-45-X1; 45000
12	4" NIPPLE	JS-0590-GA	4" nipple	
13	GAS VALVE	JL-0701-AA	Comb. gas valve 3.5" W.C 24VAC VR8 NG	Nat. Gas
		JL-0703-AA	Comb. gas valve 10" W.C 24VAC VR8 LP	Propane
14	MANIFOLD BUSHING	JS-0589-XX	Manifold bushing	

* PLEASE SEE THE CURRENT 'ITEM PRICE LIST' FOR PRICING

FOR REFERENCE SEE EXPLODED VIEW OF BURNER ON PREVIOUS PAGE

#	PART DESCRIPTION	PART #	PART DESCRIPTION PRIMARY	APPLICABLE
15	90 DEGREE ELBOW FITTING 1/2"	JS-0588-XX	90 degree street elbow fitting	
16	OUTER BURNER	JS-0504-XX	Outer burner assembly	
17	MAIN BURNER ORIFICE	JS-0742-DM	Gas orifice low intensity HTR 42 DMS	60 LP
		JS-0725-DM	Gas orifice low intensity HTR 25 DMS	60 NG
		JS-0736-DM	Gas orifice low intensity HTR 36 DMS	80 LP
		JS-0718-DM	Gas orifice low intensity HTR 18 DMS	80 NG
		JS-0731-DM	Gas orifice low intensity HTR 31 DMS	110 LP
		JS-0752-MM	Gas orifice low intensity HTR 5.2 mm	110 NG
		JS-0729-DM	Gas orifice low intensity HTR 29 DMS	130 LP
		JS-0758-MM	Gas orifice low intensity HTR 5.8 mm	130 NG
		JS-0714-IN	Gas orifice low intensity HTR 9/64 inch	155 LP
		JS-0725-IN	Gas orifice low intensity HTR 1/4 inch	155 NG
		JS-0724-DM	Gas orifice low intensity HTR 24 DMS	175 LP
		JS-0767-MM	Gas orifice low intensity HTR 6.7 mm	175 NG
		JS-0719-DM	Gas orifice low intensity HTR 19 DMS	200 LP
		JS-0730-IN	Gas orifice low intensity HTR 19/64 inch	200 NG
18	IGNITER KIT	JA-0571-KT	Igniter & gasket kit / DSI tube heater	
19	FLANGE ADAPTER	JS-0501-PW	4" flanged adapter	60-200
20	SIGHT GLASS ASSEMBLY	JS-0536-XX	Sight glass assembly	
21	FLANGE GASKET	JS-0591-XX	Flange gasket	each
22	BURNER STABILIZING BRACKET	JS-0583-05-P	Burner suspension bracket	
23	BURNER HEAD	JS-0510-LP	Burner head - (60-80)	60-80,000
		JS-0512-XX	Burner head - (110-200)	110-200,000
24	AIR RESTRICTOR RING	JS-0596-XX	Burner head air rest. ring .375	60LP,60-200NG
		JS-0597-XX	Burner head air rest. ring .500	80-200LP
25	STEP DOWN TRANSFORMER	JA-0775-XX	Transformer 120/24V, 20VA AT120B1028	
26	COMPONENT PLATE	JS-0583-41	component mounting plate	
27	IGNITION CONTROL WIRING HARNESS	JB-0568-WH	3 Try potted spark DSI control wiring harness	
28	IGNITION CABLE	JS-0518-SA	Hi voltage wire (24") STW - 2 x 1/4" Spades	
29	IGNITION CONTROL	JB-0568-AA	Control - DSI 3 Try potted Gaslitter 50N	
			50N-24-3-30-20-30-30,24VAC 1,1A	
29a	WIRING KIT (not shown)	JW-WXXX-HX	Wiring kit w/ Harness - harsh environment heater	Low voltage wires
30	TERMINAL BLOCK	JM-0455-DD	Terminal block	
31	INDICATOR LAMPS	JW-0519-AM	Amber indicator light	
		JW-0519-GR	Green indicator light	
		JW-0519-RE	Red indicator light	
32	PRESSURE SWITCH TUBING	JS-0572-SE	P.V.C. tubing set (2 x 20")	
33	COMBUSTION AIR PROVING SWITCH	JS-0576-YY	Air proving switch .30" w.c.	60
		JS-0576-XX	Air proving switch .48" w.c.	80
		JS-0575-YY	Air proving switch .65" w.c.	110-155
		JS-0576-AA	Air proving switch .85" w.c.	45, 100, 175 NG, 200
		JS-0575-ZD	Switch air proving 1.10" WC	175 LP
34	BLOCKED FLUE PROVING SWITCH	JS-0577-SS	Blocked flue switch .58" w.c.	60
		JS-0577-YY	Blocked flue switch .90" w.c.	45, 80-155
		JS-0577-UW	Switch flue blocked 1.33" WC	175 LP
		JS-0577-ZZ	Blocked flue switch 1.41" w.c.	175 NG, 200
35	24V/120V RELAY SWITCH	JS-0568-CC	24V/120V Relay Switch	ALL

TUBE SYSTEM PARTS



#	PART DESCRIPTION	PART #	PART DESCRIPTION PRIMARY	APPLICABLE
35	WEBBED HANGER: Aluminized Steel	JS-0505-JZ	Webbed Hanger - Aluminized Steel	
36	REFLECTOR: Aluminized Steel	JS-0502-JZ	Reflector 24" x 116" - Aluminized Steel	
37	PLATE HANGER: Aluminized Steel	JS-0506-JZ	Aluminized end plate hanger	
38	LOW INTENSITY TUBE: Alum'd Steel	JA-0501-SW-P	Aluminized tube,flanged,swaged, no ports	60-155
		JA-0499-SW-P	Alumatherm tube,flanged,swaged, no ports	175-200
		JS-0501-SK	Aluminized tube, 10' slotted + Accuseal clamp	175-200
		JS-0511-SW-P	Painted aluminized tube swaged	
39	REFLECTOR BRACE: Aluminized Steel	JS-0506-RB	Reflector brace - Aluminized Steel	3 per reflector
40	TURBULATOR (see Table in STW-JZ I&O Manual)	JS-0533-SH	Short turbulator 4'	60-130
		JS-0533-LG	Turbulator 10'	60-200
41	90° ELBOW 4": Aluminized Steel	JA-0508-SW	90 degree elbow - Aluminized Steel	
42	COUPLER	JA-0516-SW	4" swaged tube coupler torctite	
42a	COUPLER 175 & 200 Mbh	JA-0516-RK	Coupler 4" with Rivet & Drill Bit	175-200
43	90° ELBOW REFLECTOR: Alum'd Steel	JS-0503-US	Reflector Cap for 90° Elbow - Aluminized Steel	
44	VENT CAP	JA-0530-XX	4" roof vent cap	
45	VENT CAP	JA-0528-XX	4" horizontal wall vent terminal	

* PLEASE SEE THE CURRENT 'ITEM PRICE LIST' FOR PRICING