

**Schwank**  
INNOVATIVE HEATING SOLUTIONS



**infrasave**  
radiant heaters

## REPLACEMENT PARTS LIST

GAS FIRED SERIES:

**STW-JZ & -JZ-2**

**IW & IW-2**

LOW INTENSITY TUBE TYPE INFRA RED HEATER  
FOR CAR WASH AND OUTDOOR APPLICATIONS

**NOTICE:**

*The manufacturer reserves the right to make changes to equipment and specifications without obligation of notification.*

*This publication or parts thereof may not be reproduced in any form without prior written consent from the manufacturer. Unauthorized use or distribution of this publication is strictly prohibited.*

*Schwank Group*

5285 Bradco Blvd.  
Mississauga, Ontario L4W 2A6

PO Box 988, 2 Schwank Way  
Waynesboro, GA 30830

Customer & Technical Services:

1-877-446-3727

Fax: 1-866-361-0523

csr@schwankgroup.com

***Schwank and InfraSave brand products***

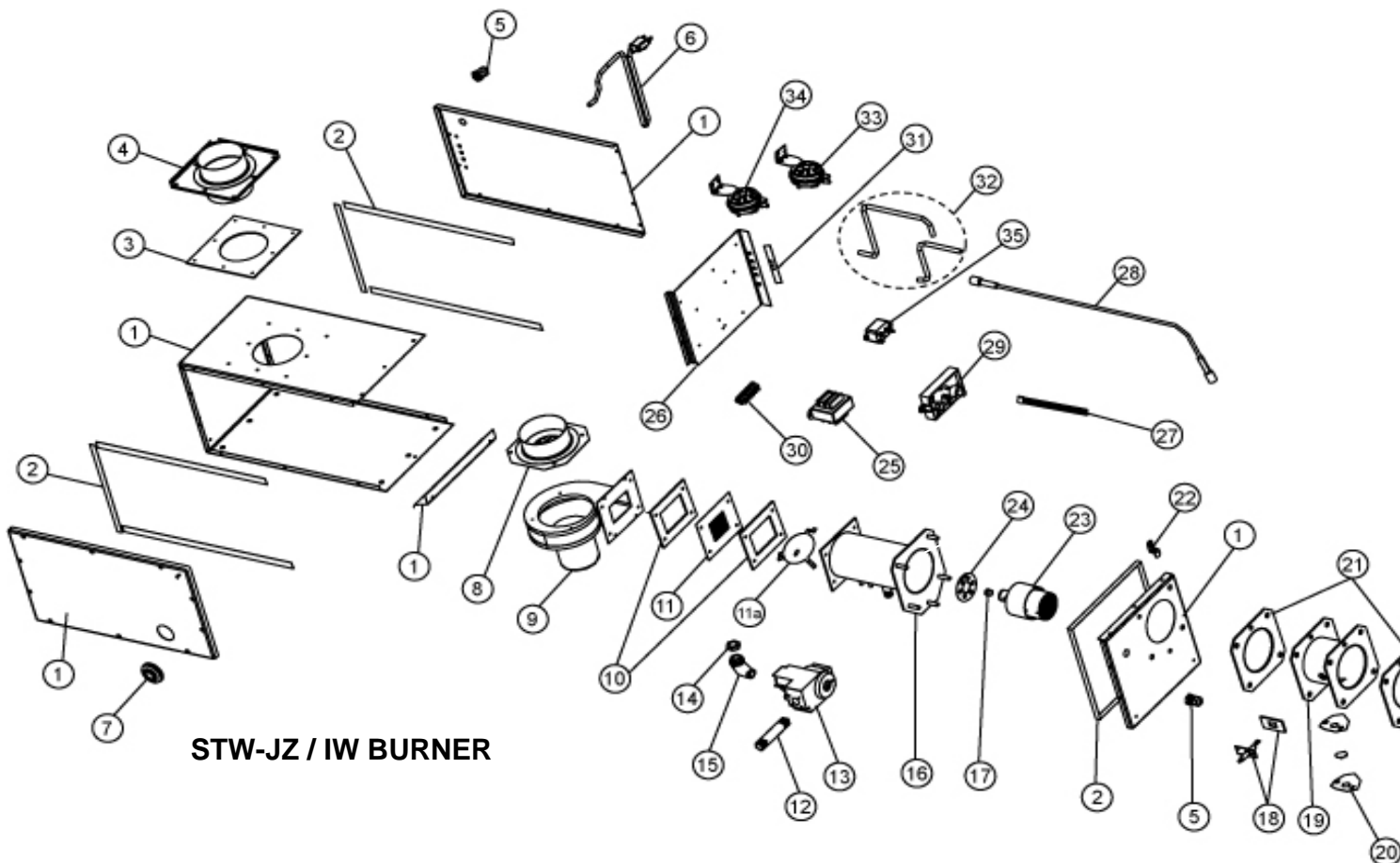
**www.SchwankGroup.com**  
**www.InfraSave.com**



**FOR YOUR SAFETY:**

This heater must only be serviced by a trained gas service technician. Failure to comply could result in personal injury, death, fire and/or property damage.

GP-NSJW-BX-04B  
STW-JZ / IW RPL  
RD: OCT 2009  
RL: 04B  
BA



**STW-JZ / IW BURNER**

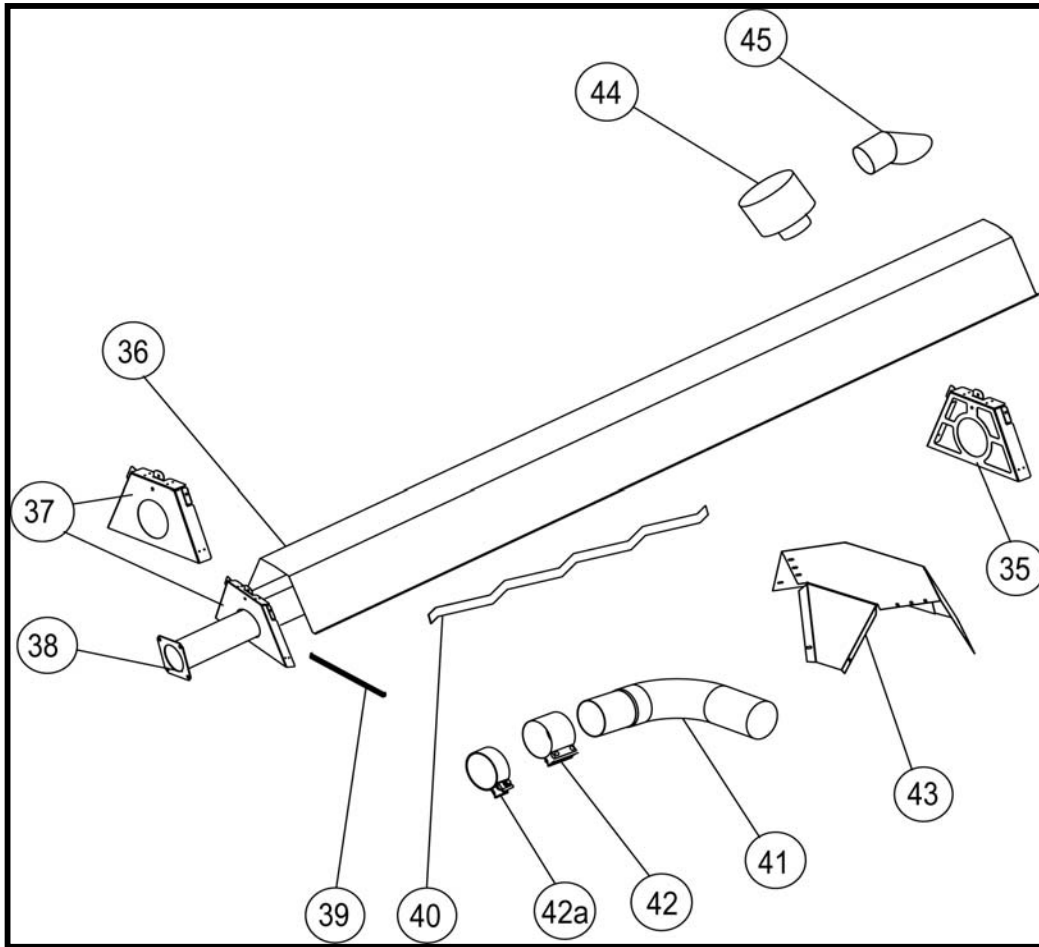
#	PART DESCRIPTION	PART #	PART DESCRIPTION PRIMARY	SUPPLEMENT
1	<b>BURNER HOUSING</b>	JS-0582-WP	Burner housing harsh environment	
2	<b>BURNER HOUSING GASKET SET</b>	JS-0591-WP	Housing gasket set	
3	<b>AIR INTAKE GASKET</b>	JS-0601-WP	Air intake gasket	each
4	<b>COMBUSTION AIR INLET</b>	JS-0583-15	Combustion air inlet - stainless steel	
5	<b>SEALTIGHT CONNECTOR</b>	JP-2036-XX	Connector liquid tight	
6	<b>ELECTRICAL CORD</b>	JB-0567-XX	Electrical cord	
7	<b>WATERPROOF GROMMET</b>	JP-2101-XX	Water proof butt connectors	
8	<b>COMBUSTION AIR INLET FLANGE</b>	JS-0594-ST	60 blower rest. ring c/w flange	60,000
		JS-0595-SP	80 blower rest. ring c/w flange	80,000
		JS-0595-AA	110-200 blower rest. ring c/w flange	110 - 200,000
9	<b>BLOWER</b>	JS-0579-AA	Blower assembly	
10	<b>BLOWER GASKET</b>	JS-0578-XX	Outlet blower gasket	each
11	<b>EQUALIZER PLATE</b>	JS-0593-XL	Outlet equalizer plate 45 LP - 29 Holes - Series X1	STW-JZ-45-L-X1; 45 LP
		JS-0593-NG	Outlet equalizer plate 45 NG - 25 Holes	STW-JZ-45-N-X1; 45 NG
		JS-0593-XX	Outlet equalizer plate 60 to 155 LP	60 - 155 LP
		JS-0593-XZ	Outlet equalizer plate 175 LP	175 LP
		JS-0593-XX	Outlet equalizer plate 60 to 200 NG	60 - 200
11A	<b>AIR RESTRICTOR</b>	JS-0592-AR	Burner air restrictor (45-X1)	STW-JZ-45-X1; 45000
12	<b>4" NIPPLE</b>	JS-0590-GA	4" nipple	
13	<b>GAS VALVE</b>	JL-0701-AA	Comb. gas valve 3.5" W.C 24VAC VR8 NG	Nat. Gas
		JL-0703-AA	Comb. gas valve 10" W.C 24VAC VR8 LP	Propane
14	<b>MANIFOLD BUSHING</b>	JS-0589-XX	Manifold bushing	

\* PLEASE SEE THE CURRENT 'ITEM PRICE LIST' FOR PRICING

SEE EXPLODED VIEW OF BURNER ON PREVIOUS PAGE

#	PART DESCRIPTION	PART #	PART DESCRIPTION PRIMARY	SUPPLEMENT
15	90 DEGREE ELBOW FITTING 1/2"	JS-0588-XX	90 degree street elbow fitting	
16	OUTER BURNER	JS-0504-WP	Outer burner assembly	
17	MAIN BURNER ORIFICE	JS-0742-DM	Gas orifice low intensity HTR 42 DMS	60 LP
		JS-0725-DM	Gas orifice low intensity HTR 25 DMS	60 NG
		JS-0736-DM	Gas orifice low intensity HTR 36 DMS	80 LP
		JS-0718-DM	Gas orifice low intensity HTR 18 DMS	80 NG
		JS-0731-DM	Gas orifice low intensity HTR 31 DMS	110 LP
		JS-0752-MM	Gas orifice low intensity HTR 5.2 mm	110 NG
		JS-0729-DM	Gas orifice low intensity HTR 29 DMS	130 LP
		JS-0758-MM	Gas orifice low intensity HTR 5.8 mm	130 NG
		JS-0714-IN	Gas orifice low intensity HTR 9/64 inch	155 LP
		JS-0725-IN	Gas orifice low intensity HTR 1/4 inch	155 NG
		JS-0724-DM	Gas orifice low intensity HTR 24 DMS	175 LP
		JS-0767-MM	Gas orifice low intensity HTR 6.7 mm	175 NG
		JS-0719-DM	Gas orifice low intensity HTR 19 DMS	200 LP
		JS-0730-IN	Gas orifice low intensity HTR 19/64 inch	200 NG
18	IGNITER KIT	JA-0571-KT	Igniter & gasket kit / DSI tube heater	
19	FLANGE ADAPTER	JS-0500-ZZ	4" flanged adapter - Stainless Steel	60-200
20	SIGHT GLASS ASSEMBLY	JS-0536-XX	Sight glass assembly	
21	FLANGE GASKET	JS-0591-XX	Flange gasket	each
22	BURNER STABILIZING BRACKET	JS-0583-05	Burner suspension bracket	
23	BURNER HEAD	JS-0510-LP	Burner head - (60-80)	60-80,000
		JS-0512-XX	Burner head - (110-200)	110-200,000
24	AIR RESTRICTOR RING	JS-0596-XX	Burner head air rest. ring .375	60LP,60-200NG
		JS-0597-XX	Burner head air rest. ring .500	80-200LP
25	STEP DOWN TRANSFORMER	JA-0775-XX	Transformer 120/24V, 20VA AT120B1028	
26	COMPONENT PLATE	JS-0583-41	component mounting plate	
27	IGNITION CONTROL WIRING HARNESS	JB-0568-WH	3 Try potted spark DSI control wiring harness	
28	IGNITION CABLE	JS-0518-SA	Hi voltage wire (24") STW - 2 x 1/4" Spades	
29	IGNITION CONTROL	JB-0568-AA	Control - DSI 3 Try potted Gaslitrer 50N	
			50N-24-3-30-20-30-30,24VAC 1,1A	
29a	WIRING KIT (not shown)	JW-WXXX-HX	Wiring kit w/ Harness - harsh environment heater	Low voltage wires
30	TERMINAL BLOCK	JM-0455-DD	Terminal block	
31	INDICATOR LAMPS	JW-0519-AM	Amber indicator light	
		JW-0519-GR	Green indicator light	
		JW-0519-RE	Red indicator light	
32	PRESSURE SWITCH TUBING	JS-0572-SE	P.V.C. tubing set (2 x 20")	
33	COMBUSTION AIR PROVING SWITCH	JS-0576-YY	Air proving switch .30" w.c.	60
		JS-0576-XX	Air proving switch .48" w.c.	80
		JS-0575-YY	Air proving switch .65" w.c.	110-155
		JS-0576-AA	Air proving switch .85" w.c.	175 NG, 200
		JS-0575-ZD	Switch air proving 1.10" WC	175 LP
34	BLOCKED FLUE PROVING SWITCH	JS-0577-SS	Blocked flue switch .58" w.c.	60
		JS-0577-YY	Blocked flue switch .90" w.c.	80-155
		JS-0577-UW	Switch flue blocked 1.33" WC	175 LP
		JS-0577-ZZ	Blocked flue switch 1.41" w.c.	175 NG, 200
35	24V/120V RELAY SWITCH	JS-0568-CC	24V/120V Relay Switch	ALL

# TUBE SYSTEM PARTS



#	PART DESCRIPTION	PART #	PART DESCRIPTION PRIMARY	SUPPLEMENT
35	<b>WEBBED HANGER: Aluminized Steel</b>	JS-0505-JZ	Webbed Hanger - Aluminized Steel	
	<b>Stainless Steel</b>	JS-0505-SZ	Webbed Hanger - Stainless Steel	STW-JZ-2 & IW-2
36	<b>REFLECTOR: Aluminized Steel</b>	JS-0502-JZ	Reflector 24" x 116" - Aluminized Steel	
	<b>Stainless Steel</b>	JS-0502-ST-S	Reflector 24" x 116" - Stainless Steel	STW-JZ-2 & IW-2
37	<b>PLATE HANGER: Aluminized Steel</b>	JS-0506-JZ	Aluminized end plate hanger	
	<b>Stainless Steel</b>	JS-0506-SZ	Stainless Steel end plate hanger	STW-JZ-2 & IW-2
38	<b>LOW INTENSITY TUBE: Alum'd Steel</b>	JA-0501-SW-P	Aluminized tube,flanged,swaged, no ports	60-155
		JA-0499-SW-P	Alumatherm tube,flanged,swaged, no ports	175-200
		JS-0501-SK	Aluminized tube, 10' slotted + Accuseal clamp	175-200
		JS-0511-SW-P	Painted aluminized tube swaged	
	<b>LOW INTENSITY TUBE: Stainless Steel</b>	JA-0500-SW-P	Stainless Steel tube,flanged,swaged, no ports	STW-JZ-2 & IW-2: 60-200
		JS-0500-SW	Stainless Steel tube swaged	
39	<b>REFLECTOR BRACE: Aluminized Steel</b>	JS-0506-RB	Reflector brace - Aluminized Steel	3 per reflector
	<b>Stainless Steel</b>	JS-0506-SB	Reflector brace - Stainless Steel	3 per reflector
40	<b>TURBULATOR</b> (see Table in STW-JZ I&O Manual)	JS-0533-SH	Short turbulator 4'	60-130
		JS-0533-LG	Turbulator 10'	60-200
41	<b>90° ELBOW 4": Aluminized Steel</b>	JA-0508-SW	90 degree elbow - Aluminized Steel	
	<b>Stainless Steel</b>	JA-0508-SS	91 degree elbow - Stainless Steel	STW-JZ-2 & IW-2
42	<b>COUPLER</b>	JA-0516-SW	4" swaged tube coupler torctite	
42a	<b>COUPLER 175 &amp; 200 Mbh</b>	JA-0516-RK	Coupler 4" with Rivet & Drill Bit	175-200
43	<b>90° ELBOW REFLECTOR: Alum'd Steel</b>	JS-0503-US	Reflector Cap for 90° Elbow - Aluminized Steel	
	<b>Stainless Steel</b>	JS-0503-SZ	Reflector Cap for 90° Elbow - Stainless Steel	STW-JZ-2 & IW-2
44	<b>VENT CAP</b>	JA-0530-XX	4" roof vent cap	
45	<b>VENT CAP</b>	JA-0528-XX	4" horizontal wall vent terminal	GP-NSJW-BX-04B

\* PLEASE SEE THE CURRENT 'ITEM PRICE LIST' FOR PRICING 4

STW-JZ / IW RPL  
RD: OCT 2009  
RL: 04B  
BA