



## REPLACEMENT PARTS LIST

GAS FIRED SERIES

# 2300

# IO-210

LUMINOUS TYPE INFRA RED HEATER

**NOTICE:**

*The Manufacturer reserves the right to make changes to equipment and specifications without obligation or notification.*

*This publication, or parts thereof, may not be reproduced in any form, without prior written consent from The Manufacturer. Unauthorized use or distribution of this publication is strictly prohibited.*

### Schwank Group

U.S.A.:  
Schwank USA Inc.  
InfraSave U.S.A.

P.O. Box 988  
2 Schwank Way  
Waynesboro, GA 30830-0988  
[www.SchwankGroup.com](http://www.SchwankGroup.com)  
[www.patioSchwank.com](http://www.patioSchwank.com)

Canada:  
Schwank Ltd.  
InfraSave Canada

5285 Bradco Boulevard  
Mississauga, Ontario, L4W 2A6  
[www.InfraSave.com](http://www.InfraSave.com)

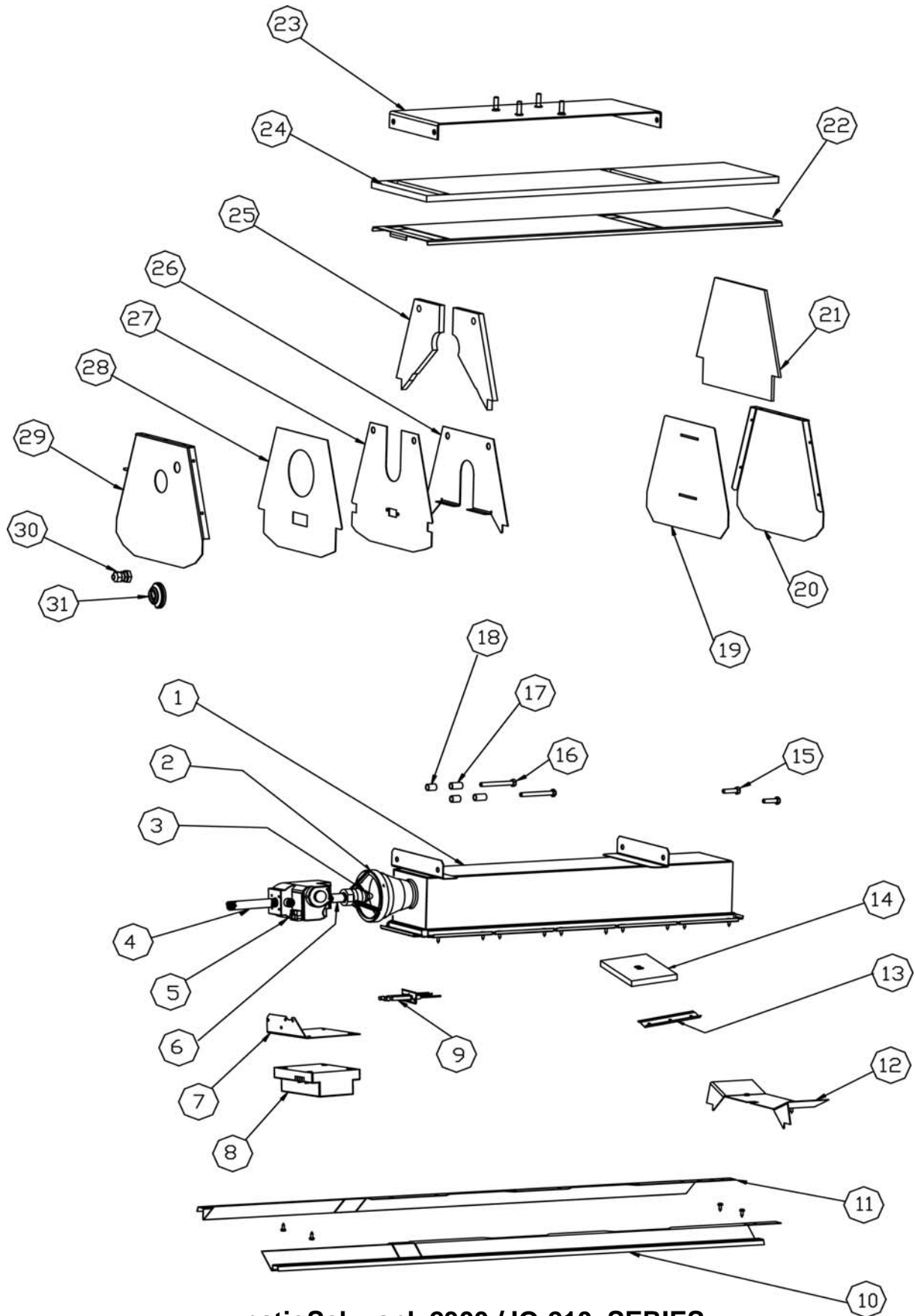
### Customer & Technical Services:

Phone: 1-877-446-3727

Fax: 1-866-361-0523

email: [csr@schwankgroup.com](mailto:csr@schwankgroup.com)

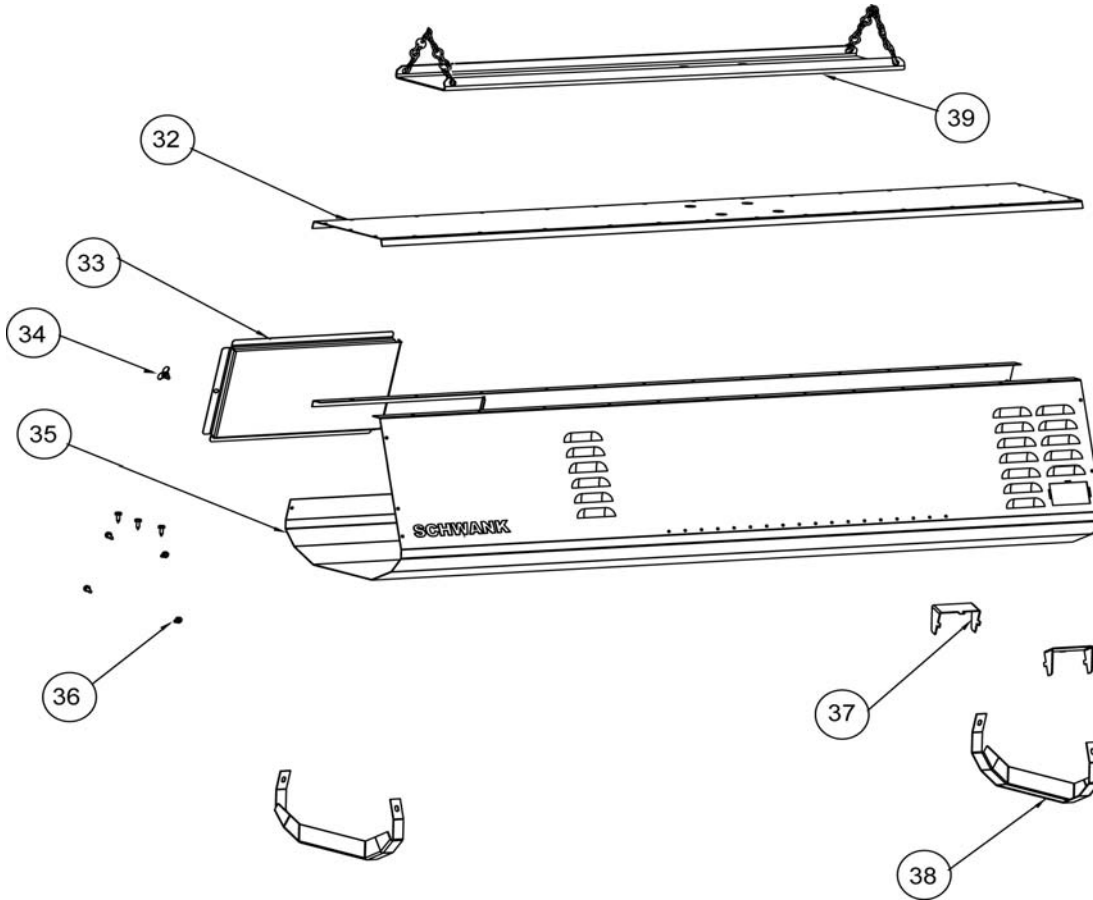




**patioSchwank 2300 / IO-210 SERIES**

REPLACEMENT PARTS LIST			NOTE: Unique parts for 2300 / IO-210 S/S (Stainless Steel Models) are highlighted in gray		
#	PART NAME	QUANTITY	2312 / IO-212	2313 / IO-213	2315 / IO-215
			PART #	PART #	PART #
1	Burner Assembly - Natural Gas	1	JX-E025-PN	JX-E037-PN	JX-E050-PN
	Burner Assembly - Propane		JX-E025-PL	JX-E037-PL	JX-E050-PL
2	Orifice holder	1	JX-0210-XX	JX-0210-XX	JX-0210-XX
3	Orifice - refer to "Orifice Chart"	1	see chart	see chart	see chart
4	4" nipple	1	JS-0590-GA	JS-0590-GA	JS-0590-GA
5	Gas valve-PN	1	JL-0701-XX	JL-0701-XX	JL-0701-XX
	Gas valve-PL		JL-0703-XX	JL-0703-XX	JL-0703-XX
6	3" nipple	1	JX-0209-XZ	JX-0209-XZ	JX-0209-XZ
7	Control Bracket	1	JX-0206-XX	JX-0206-XX	JX-0206-XX
8	DSI control HONEYWELL	1	JX-0202-XX	JX-0202-XX	JX-0202-XX
	DSI control FENWAL		JP-2573-FW	JP-2573-FW	JP-2573-FW
9	Igniter sensor	1	JX-0204-XX	JX-0204-XX	JX-0204-XX
10	Right reflector - Stainless Steel	1	JP-2312-RS-R	JP-2313-RS-R	JP-2315-RS-R
11	Left reflector - Stainless Steel	1	JP-2312-RS-L	JP-2313-RS-L	JP-2315-RS-L
12	Horizontal separation wall - Alum'd Steel	1	JP-2312-HP	JP-2313-HP	JP-2315-HP
	Horizontal separation wall - S/S Models		JP-S312-HP	JP-S313-HP	S/S all models
13	Tile retainer	8*/10*/12*	JX-0243-XX x 8	JX-0243-XX x 10	JX-0243-XX x 12
14	Ceramic tile	3*/5*/7*	JL-0740-XX	JL-0740-XX	JL-0740-XX
15	Short connecting screws	2	5/16" x 1-1/4"	5/16" x 1-1/4"	5/16" x 1-1/4"
16	Long connecting screws	2	5/16" x 2-1/2"	5/16" x 2-1/2"	5/16" x 2-1/2"
17	Spacer-short	2	JP-2300-SS	JP-2300-SS	JP-2300-SS
18	Spacer-long	2	JP-2300-LS	JP-2300-LS	JP-2300-LS
19	End insulation plate - Alum'd Steel	1	JP-2300-IE	JP-2300-IE	JP-2300-IE
	End insulation plate - S/S Models		JP-S300-IE	JP-S300-IE	JP-S300-IE
20	End plate - BLACK	1	JP-2300-EP	JP-2300-EP	JP-2300-EP
	End plate - S/S Models		JP-S300-EP	JP-S300-EP	JP-S300-EP
21	End insulation	1	JP-2300-EN	JP-2300-EN	JP-2300-EN
22	Horizontal insulation plate - Alum'd Steel	1	JP-2312-IP	JP-2313-IP	JP-2315-IP
	Horizontal insulation plate - S/S Models		JP-S312-IP	JP-S313-IP	JP-S315-IP
23	U- support bracket - BLACK	1	JP-2312-UB	JP-2313-UB	JP-2315-UB
	U- support bracket - S/S Models		JP-S312-UB	JP-S313-UB	JP-S315-UB
24	Horizontal insulation	1	JP-2312-TN	JP-2313-TN	JP-2315-TN
25	Venturi insulation	1	JP-2300-VN	JP-2300-VN	JP-2300-VN
26	Separation plate - Alum'd Steel	1	JP-2300-SP	JP-2300-SP	JP-2300-SP
	Separation plate - S/S Models		JP-S300-SP	JP-S300-SP	JP-S300-SP
27	Igniter plate - Stainless Steel	1	JP-2300-IG	JP-2300-IG	JP-2300-IG
28	Venturi plate - Alum'd Steel	1	JP-2300-VP	JP-2300-VP	JP-2300-VP
	Venturi plate - S/S Models		JP-S300-VP	JP-S300-VP	JP-S300-VP
29	Pipe plate - BLACK	1	JP-2300-PE	JP-2300-PE	JP-2300-PE
	Pipe plate - S/S Models		JP-S300-PE	JP-S300-PE	JP-S300-PE
30	Wire Grommet	1	JP-2036-XX	JP-2036-XX	JP-2036-XX
31	Nipple grommet	1	JP-2101-XX	JP-2101-XX	JP-2101-XX

REPLACEMENT PARTS LIST			NOTE: Unique parts for 2300 / IO-210 S/S (Stainless Steel Models) are highlighted in gray		
#	PART NAME	QUANTITY	2312 / IO-212	2313 / IO-213	2315 / IO-215
			PART #	PART #	PART #
32	Cover - BLACK	1	JP-2312-CV	JP-2313-CV	JP-2315-CV
	Cover - SS		JP-S312-CV	JP-S313-CV	JP-S315-CV
33	Service door - BLACK	1	JP-2300-SD	JP-2300-SD	JP-2300-SD
	Service door - S/S Models		JP-S300-SD	JP-S300-SD	JP-S300-SD
34	Door fastener	1	JP-2300-DF*	JP-2300-DF*	JP-2300-DF*
35	Screen Assembly - Stainless Steel	1	JP-2312-SC	JP-2313-SC	JP-2315-SC
36	Screws	37	1/4" S.M.	1/4" S.M.	1/4" S.M.
37	Lateral chimney - Stainless Steel	2	JP-2300-CH	JP-2300-CH	JP-2300-CH
38	Screen retainer - BLACK	2	JP-2300-SR	JP-2300-SR	JP-2300-SR
	Screen retainer - S/S Models		JP-S300-SR	JP-S300-SR	JP-S300-SR
39	Hanging Support - BLACK	1	JP-2300-HS	JP-2300-HS	JP-2300-HS
	Hanging Support - S/S Models		JP-S300-HS	JP-S300-HS	JP-S300-HS



#	PART NAME	QUANTITY	2312 / IO-212	2313 / IO-213	2315 / IO-215
			PART #	PART #	PART #
1	Burner Assembly - Natural Gas	1	JX-E025-PN	JX-E037-PN	JX-E075-PN
	Burner Assembly - Propane		JX-E025-PL	JX-E037-PL	JX-E075-PL
2	Orifice holder	1	JX-0210-XX	JX-0210-XX	JX-0210-XX
3	Orifice - refer to "Orifice Chart"	1	see chart	see chart	see chart
4	4" nipple	1	JS-0590-GA	JS-0590-GA	JS-0590-GA